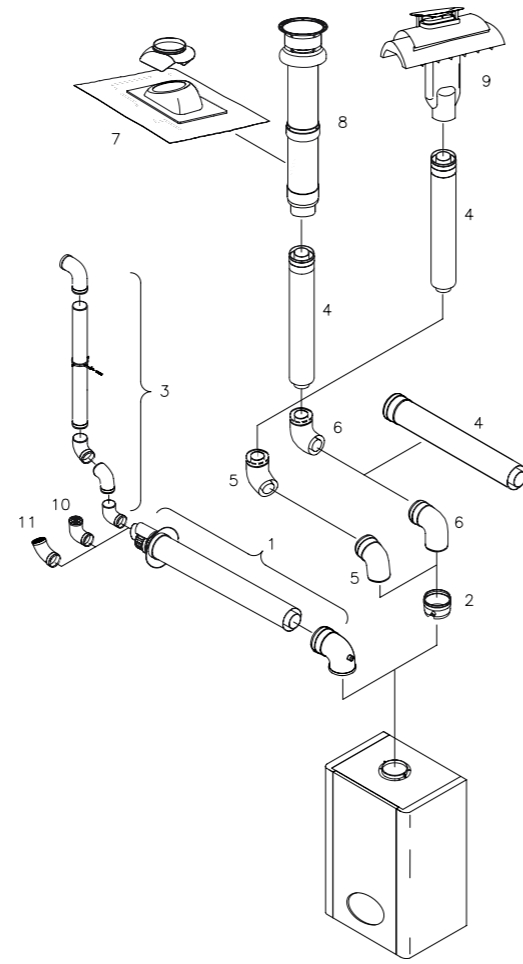


Flue options



The new WH100 & WH130 can be fitted with either a 100mm standard (concentric), a 125mm flue duct or a twin (eccentric) flue duct, which can be installed either vertical or horizontal, depending on the customer's requirement.

A one metre standard horizontal flue kit is supplied separately; this can extend to 8 metres if required, or 13 metres vertical (maximum without bends). Alternatively there is a 125mm (concentric flue system that allows greater flexibility (26 metres). Eccentric flue ducting is perfect for covering long distances and when used with a special connector this can be extended up to 43 metres air intake / exhaust.

Part	Description Flue 60/100	WH Part No
1	1 metre horizontal flue kit	PR5023016
2	Straight flue header/Sample Point	PR5094110A
3	1 metre high plume kit	TER110101
4	1 metre flue extension	PRFE
5	45° in line flue bend	PR45FBI
6	90° in line flue bend	PR90FBI
7	Flashing sleeve/plate	TEG060050
8	1 metre vertical terminal	TER110200
9	Combi ridge terminal kit	TER090100
10	90° flue exhaust deflection bend	CUR110100
11	45° flue exhaust deflection bend	CUR110050



Boiler Specifications

	Model	WH100(T) Combi	WH130(T) Combi	WH System 6-24	WH System 9-32
Central Heating Max Output (Adjustable Modulation)	kW	6.0 - 26.5	7.0 - 32.0	6 - 26.5	7.0 - 32.0
Domestic Hot Water Max Output (Adjustable Modulation)	kW	6.0 - 29.0	7.0 - 36.0	-	-
Domestic Hot Water Flow Rate Raised 30°C Δt	l/Min	13.4	17.0	-	-
Inlet Temperature 35°C Δt	l/Min	11.5	14.5	-	-
Expansion Vessel	1	8L	8L	8L	8L
Maximum Central Heating Temperature	°C	80	80	80	80
Connection					
Heating Flow & Return Compression	mm	22	22	22	22
Gas Connection	mm	15	15	15	15
Domestic Supply (Cold) Compression	mm	15	15	-	-
Domestic Supply (Hot) Copper	mm	15	15	-	-
Condensing Pipe ¾ Push Fit Overflow Pipe					
Flue Size	mm	100	100	100	100
Electrical Mains Supply		230V 50Hz Fused 3amp	230V 50Hz Fused 3amp	230V 50Hz Fused 3amp	230V 50Hz Fused 3amp
Nat Gas  Band A 2005/2009	%	90.3/88.9	90.3/88.9	90.4/89	90.4/89
LPG  Band A 2005/2009	%	91.9/89.9	91.9/89.9	92/91.9	92/91.9
Nox Class (lowest possible level) Available with or without timer		5	5	5	5

For any other information please refer to user guide and installation instructions.

Technical after sales service

The White Boiler Company has a technical helpline based in Leeds. Service engineers and their customers have the satisfaction of knowing they will receive advice from one of our technical assistants and that one of our own technicians is on hand should an on-site visit be required. The White Boiler Company only uses its own highly qualified technicians, thereby, ensuring the highest quality and most reliable customer care.



The White Boiler Company's WH100 and WH130 condensing combination and system boilers.



A TF1 is included with your White Heat Boiler

The White Boiler Company

The White Boiler Company

A Ravenheat Group Company



Chartists Way, Morley, Leeds LS27 9ET.
Telephone 0113 252 7007 Fax 0113 238 0229
www.ravenheat.co.uk

Easy does it

The White Boiler Company is the new exclusive boiler brand that puts style, quality and innovation in a class of it's own.

The White Boiler Company's condensing combination and system boiler range.

- WH100 Combination Boiler - 30kW to domestic hot water (DWH) output with a DWH flow rate of 11.5 litres through a 35° rise.
- WH130 Combination Boiler - 36.5kW output to DHW with a DHW flow rate of 14.5 litres through a 35° rise.
- WH System Boiler range rated 6kW - 24kW max output.
- WH System Boiler range rated 9kW - 32kW max output.

Whatever the heating or hot water requirement of the property, both combination and system boilers in the range are available in outputs that will satisfy the needs of even the most demanding households.

Built to exacting ISO 9001 standards using quality components, all of our boilers carry the European CE mark. Each appliance undergoes a rigorous testing and operating procedure before being carefully packed for maximum protection, ready to leave our factory.

It is the quality installers choice for reliability not to mention the ease of accessibility that installers love most of all. A uniquely engineered 'easy release' front panel means you can access the entire boiler in seconds. Simply pull the front panel forward and release. Everything you need to access is right in front of you.

Temperature control display combined with service diagnostic information

Operation display light indicator

Domestic hot water thermostat

Mains power switch



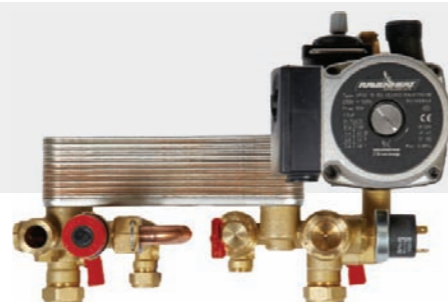
7-day digital timer (Optional)

Pressure indicator

Central heating output thermostat

Timer override switch

DHW Heat Exchanger

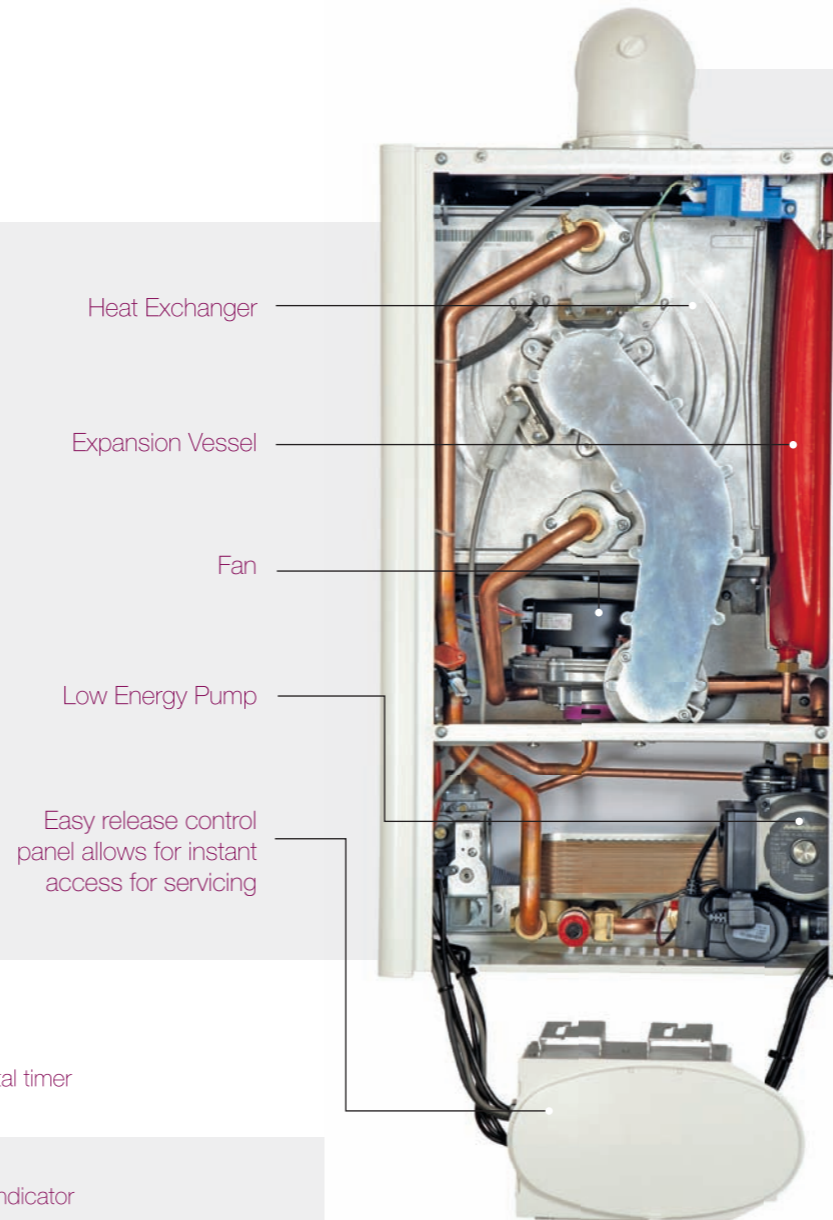


This is what 'class' looks like

White Heat boiler range is the one installers can reliably recommend to their customers for years of trouble-free operation.

Not all boilers are the same – just take a look at what The White Boiler Company's WH100, WH130 and System boilers have to offer:

- SEDBUK A rated.
- 2 year guarantee.
- 'Easy release' control panel allows easy access for servicing.
- Integral valve kit eliminates unsightly valves outside the boiler.
- Compact in size – 700mm high, 425mm wide and 300mm deep.
- Built-in condensation trap designed to reduce nuisance freezing in winter.
- Innovative flexible condensation pipe is conveniently located after the trap.
- Manual and automatic air vent allows air out of the system more easily when commissioning.
- Brass and premium branded components for lasting quality.
- The high density insulation lining of the WH100 and WH130 keeps heat in and allows for quiet operation.
- Removable side panels.
- Built-in automatic by-pass.
- The fan speed can be adjusted without using a meter – the WH100 and WH130 has a built-in fan meter display that allows easy adjustment of boiler power settings.
- Boiler operation history can be traced easily thanks to the sequential operational codes built into the appliances.
- Low NOx class 5 meets new stringent building codes.
- The weather compensator option makes the boilers perfect for new-build projects.
- Solar compatible.



Heat Exchanger

Expansion Vessel

Fan

Low Energy Pump

Easy release control panel allows for instant access for servicing

The Inside Story

Tried-and-tested technology, including brass and premium branded components, featuring the easy release control panel allowing easy access for servicing make the WH100 and WH130 a sure-fire hit with installers.

What more could you ask for?

All good installers know boiler must be correctly installed. Firstly the system should be power fl ushed and protected to ensure the appliance is operating in the correct installation environment. The Boiler must be commissioned and serviced annually by a Gas Safe registered engineer. Register installation with The White Boiler Company upon purchase (so warranty can be activated).